

# Commander Extreme

DESIGNED FOR EXTREME WEATHER CONDITIONS & HEAVY CUSTOM DOORS



## RESIDENTIAL SECTIONAL GARAGE DOOR OPENER

MYQ & BATTERY BACKUP COMPATIBLE

### KEY FEATURES

#### POWERFUL LED LIGHTING

Illuminate your garage corner-to-corner.

#### MYQ COMPATIBLE

Opener is myQ compatible with additional purchase of Safety IR Beams & myQ Gateway.<sup>1</sup>

#### BATTERY BACKUP COMPATIBLE

Opener is Battery Backup compatible with additional purchase of Battery Backup accessory.



Compliant to Australian and New Zealand Standard AS/NZS 60335-2-95



### ACCESSORIES INCLUDED



#### 2 PREMIUM+ REMOTES

Each button is independently programmable and backed by Security+ 2.0 technology.

E940M



#### TWO BUTTON WIRELESS WALL BUTTON

Controls up to two garage door openers and is backed by Security+2.0 technology.

E138M

### POWERFUL ADD-ONS



#### MYQ CONNECTIVITY BUNDLE

Add monitoring and control away from home. Includes myQ Gateway and The Protector System™ (Safety IR Beams).

M828AU774



**MYQ REMOTE LED LIGHT** Ultra-bright LED light designed to illuminate your garage or workspace. Controlled by a garage door opener, remote control or myQ app.

827AU



#### BATTERY BACKUP

Get in and out when the power's out with Battery Backup.

M-BBU24V



#### WIRELESS SECURITY KEYPAD

Convenient and safe access to your garage without using a remote control or key.

E840M



#### SINGLE BUTTON REMOTE CONTROL WITH CAR VISOR CLIP

Easily attaches to your car visor to control one garage door. Backed by Security+ 2.0 technology.

E940M



#### THREE BUTTON REMOTE CONTROL WITH CAR VISOR CLIP

Easily attaches to your car visor to control up to three garage doors. Backed by Security+ 2.0 technology.

E943M

### SMART



**MYQ COMPATIBLE TECHNOLOGY** lets users create schedules, monitor, receive alerts and control the garage door opener away from home.<sup>1</sup>



**SOFT-START AND SOFT-STOP** for smooth operation.

### QUIET & RELIABLE



**7-YEAR WARRANTY**



**QUIET DC MOTOR** eliminates noise and vibrations through the ceiling and provide smooth operation.



**HEAVY-LIFTING POWER** operates doors up to 150 kg / 286 kg.<sup>3</sup>



**BATTERY BACKUP** ensures access even when the power is out.<sup>2</sup>

### SAFE & SECURE



**SECURITY+ 2.0®** sends a new code with every remote click.



**PREMIUM AUTOMATIC SAFETY REVERSE** function will allow your garage door to stop and reverse automatically if obstructed going down or stop going up.



**TIMER-TO-CLOSE** automatically closes the door after a pre-set amount of time.<sup>4</sup>



**IMPROVED TRANSMITTER RANGE** has up to 18% better range meaning you can start opening your garage door sooner.<sup>5</sup>



**AUTOMATIC FORCE SENSING** monitors and adjusts the force needed to open your garage with each operation.



**MANUAL RELEASE CORD** allows you to open your garage door whenever needed.

[gomerlin.com.au](http://gomerlin.com.au) ■ [gomerlin.co.nz](http://gomerlin.co.nz)

<sup>1</sup>Additional purchase of Merlin myQ Gateway and Safety IR Beam accessories required to enable myQ functionality. Visit [gomerlin.com.au](http://gomerlin.com.au) or [gomerlin.co.nz](http://gomerlin.co.nz) for further information. <sup>2</sup>Additional purchase of Merlin Battery Backup accessory required to enable Battery Backup functionality. Visit [gomerlin.com.au](http://gomerlin.com.au) or [gomerlin.co.nz](http://gomerlin.co.nz) for further information. <sup>3</sup>286 kg door rating is based on having installation of Safety IR Beams. <sup>4</sup>Safety IR Beams must be installed to enable the use of Timer-to-Close. See User Guide for additional information. Smartphone not included. <sup>5</sup>When compared to other available Merlin products.

# Commander Extreme

DESIGNED FOR EXTREME WEATHER CONDITIONS & HEAVY CUSTOM DOORS

MS125MYQ



## RESIDENTIAL SECTIONAL GARAGE DOOR OPENER

MYQ & BATTERY BACKUP COMPATIBLE

### GARAGE DOOR OPENER IS COMPATIBLE WITH myQ<sup>2</sup>

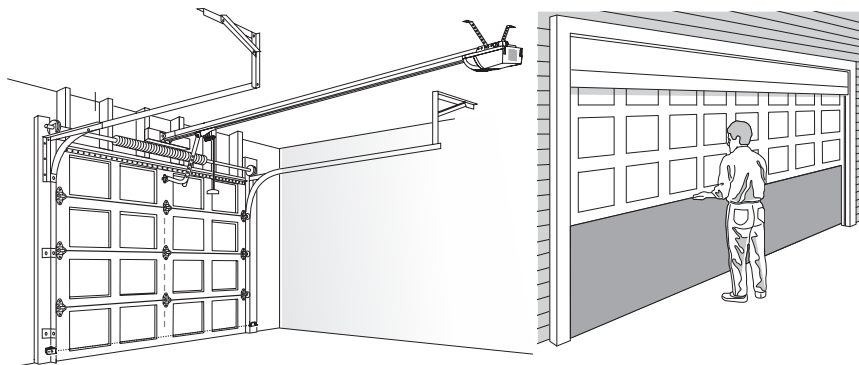
Additional purchase of The Protector System™ and myQ Gateway is required

APP AVAILABLE ON:



- Monitor and control your garage door away from home through the Merlin myQ app.
- Peace of mind knowing if your garage door is open or closed anywhere and any time.
- Receive real time alerts and notifications so you know when the garage door is opened or closed by loved ones.
- Pre-set times to automatically close your garage door at any time.
- See history records of your garage door open and close periods.
- Protect your loved ones and belongings with The Protector System™ (Safety IR Beams).
- Compatible Merlin myQ app available for smart devices including Apple Watch.

### TYPICAL INSTALLATION - SECTIONAL DOORS



- Maximum lifting under spring tensions 20 kg
- Suitable for steel and timber spring balanced doors
- Total door area: 20m<sup>2</sup>
- Single dwelling, max door weight up to 150 kg / 286 kg<sup>(3)</sup>



## SECURITY



### SECURITY+ 2.0<sup>®</sup>

- Encrypted rolling code across multiple frequencies.
- Security+ 2.0<sup>®</sup> technology virtually eliminates interference.

## SMART



### RADIO

- Provides 2-way communication from rolling door opener and accessories.
- Receiver with 64 memory registers.

## ELECTRICAL



### LIGHTING: LED LIGHTING

- LED light turns on with activation.
- Turns off 2.5 minutes after operation.

## STANDARD SPECIFICATIONS

- Input voltage: 240V AC
- Rated door areas up to: 20m<sup>2</sup>
- Max door height: 3.5m
- Max door weight: 150 kg / 286 kg<sup>(3)</sup>
- Max peak pulling force: 1200N
- Max lift under spring tension: 20 kg
- Radio frequency: 433.30, 433.92, 434.54 MHz with Security+ 2.0 technology
- Minimum headroom required: 30mm
- C-rail with belt drive
- 24C DV motor with thermal overload protection
- Lighting: LED Lighting
- Garage Door Opener Capacity of up to 64 memory registers
- Compatible with myQ technology<sup>2</sup>

# Merlin<sup>®</sup>



### AUSTRALIA

Chamberlain Australia Pty Ltd  
PO Box 1446  
Lane Cove NSW 1595  
Australia

[gomerlin.com.au](http://gomerlin.com.au)  
**1800 638 234**

### NEW ZEALAND

Chamberlain New Zealand Ltd  
PO Box 100-221  
North Shore  
Auckland 0745  
New Zealand

[gomerlin.co.nz](http://gomerlin.co.nz)  
**0800 653 667**

Designed & Engineered in Australia  
© Chamberlain Group 2019. All Rights Reserved. <sup>™</sup> Trademark of The Chamberlain Group, Inc. <sup>®</sup> Registered Trademark of The Chamberlain Group.

<sup>1</sup>Based upon a 2.4m high door. <sup>2</sup>This feature requires monitored Safety IR Beams to be fitted. Linking your myQ account to partner may require an additional accessory purchase or subscription fee. <sup>3</sup>286 kg door rating is based on having installation of Safety IR Beams. Apple, the Apple logo, iPhone, and iPad are trademarks of Apple Inc., registered in the U.S. and other countries and regions. App Store is a service mark of Apple Inc. Google Play and the Google Play logo are trademarks of Google LLC.